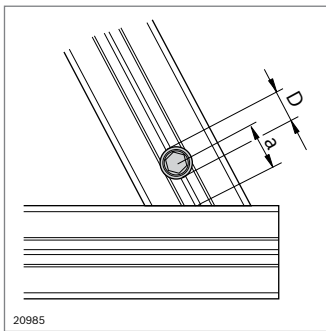


20986



20985

### Quick connector, bendable – end-to-slot



- ▶ For end-to-slot connecting of two profiles at any angle, e.g. for framework constructions
- ▶ Profile finishing:
  - blind hole DB11, DB17 or through-hole D11, D17
  - miter cut

Technical data (p. 19-6)

Accessories:

- ▶ Drilling jig (p. 14-2)
- ▶ Cover cap (p. 3-53)

Quick connector, bendable	P1 / P2	a (mm)	D (mm)	ESD	No.
End-to-slot	8 / 8	18	11		10 <b>3 842 535 629</b>
	10 / 10	22.5	17		10 <b>3 842 535 635</b>

Material: Tie rod: steel, stainless  
Socket: steel; galvanized

	$F_{max}$	$M_{max}$	$F_{max}$	$M_{max}$
30x30	1100 N	35 Nm	650 N	40 Nm
40x40L	1500 N	110 Nm	1000 N	80 Nm
45x45L	1500 N	120 Nm	1000 N	95 Nm
45x45	1500 N	140 Nm	1100 N	180 Nm
50x50L	1500 N	150 Nm	1100 N	180 Nm